

iDS-TCE900-B/iDS-TCE500-B High Performance ANPR Capture Unit



DeepinView

- 5 MP (2/3" GMOS), 2464 × 2056 @ 50 fps
- 9 MP (1" GMOS), 4096 × 2160 @ 25 fps
- Color: 0.001 Lux@(F1.4, AGC ON)
- H.265, H.264, MJPEG
- 60 dB SNR
- 3D DNR
- Alarm I/O
- Two defined streams
- Built-in micro SD/TF card, up to 128 GB
- License plate recognition (LPR)
- Vehicle type recognition
- Vehicle color recognition
- Vehicle manufacturer recognition
- Detection sensitivity: > 98%
- LPR accuracy: > 98%



Superiority

- Dedicated camera for ANPR
 - HD resolution
 - Professional shutter speed control
- Built-in ANPR engine, equipped with deep learning algorithm
- Capable of recognizing multiple features
 - Vehicle type recognition
 - Vehicle color recognition

Application

Supports detecting the following violation behaviors:

- Running the red light
- Wrong-way driving
- Illegal lane change
- Solid line driving
- Driving in wrong lane at intersection
- Illegal U-turn detection

Scenarios

- Intersection
- T junction
- Other red light roads

Specification

Camera	iDS-TCE500-B	iDS-TCE900-B
Image Sensor	5 MP (2/3" GMOS)	9 MP (1" GMOS)
Min. Illumination	Color: 0.001 Lux@(F1.4, AGC ON)	
Shutter Speed	50 μs to 20,000 μs	
Digital Noise Reduction	2D/3D DNR	
SNR	60 dB	
Lens		
Focal Length	15 to 50 mm	11 to 40 mm
Aperture	F1.4-C	F1.6-25
Focus	Manual	
FOV	CS-Mount Horizontal: 42.7° to 13.7° Vertical: 23.4° to 7.6°	CS-Mount Horizontal: 62° to 23.6° Vertical: 32.2° to 12.2°
White Light		
Light Range	Up to 30 m	Up to 27 m
Compression Standard		
Video Compression	Main stream: H.265/H.264/MJPEG Sub-stream: H.265/H.264/MJPEG	
H.264 Type	Baseline profile/Main profile/High profile	
H.265 Type	Baseline profile/Main profile/High profile	
Video Bit Rate	32 Kbps to 16 Mbps	
Smart Feature		
Recognition	License plate recognition	
Coverage	Up to 2 lanes	2 to 3 lanes
Trigger Mode	External I/O trigger/Radar trigger/Video trigger	
Supplement Light Type	External strobe/flash/solid light	
Smart Function	Vehicle type classification, vehicle color recognition, no-plate vehicle capture, moving direction detection	
Road Traffic and Vehicle Detection		
Country/Region	<p>Middle East: The United Arab Emirates (Abu Dhabi, Ajman, Dubai, Fujairah, Ras Al Khaimah, Sharjah and Umm Al Quwain), Qatar, Iran, Iraq, Egypt, Jordan, Kuwait, Saudi Arabia, Pakistan, Oman, Lebanon, Bahrain</p> <p>Africa: Nigeria, Kenya, Ivory Coast, South Africa, Tanzania, Mauritius, Morocco, Tunisia, Sierra Leone, Zambia, Ghana, Zimbabwe, Uganda, Angola, Ethiopia, Senegal, Algeria</p> <p>Asia-Pacific: Australia, New Zealand, Indonesia, Malaysia, Singapore, South Korea, Thailand, Vietnam, the Philippines, Hong Kong, Macao, Taiwan, Burma, India, Mongolia, Cambodia, Laos, Bangladesh</p> <p>America: The United States of America, Canada, Argentina, Chile, Paraguay, Uruguay, El</p>	

	<p>Salvador, Bolivia, Colombia, Brazil, Ecuador, Peru, Mexico, Panama, Costa Rica, Trinidad and Tobago, the Dominican Republic, Guatemala</p> <p>Europe: Turkey, Croatia, Slovakia, Czech Republic, Bulgaria, the Republic of North Macedonia, Hungary, Greece, Poland, France, Netherlands, Switzerland, Spain, the UK, Ireland, Germany, Italy, Austria, Israel, Palestinian State, Belgium, Luxembourg, Albania, Kosovo</p> <p>Russian-Speaking Regions: Azerbaijan, Belarus, Kazakhstan, Lithuania, Georgia, Estonia, Latvia, Russia, Ukraine, Moldova, Uzbekistan, Kyrgyzstan, Armenia</p>	
Accuracy (Under recommended installation and lighting conditions)	<p>Capture rate > 98%</p> <p>Vehicle moving direction recognition accuracy > 98.5%</p> <p>LPR accuracy > 98%</p> <p>Mistaken capture rate < 2%</p>	
	<p>European and Russian-Speaking Regions: LPR accuracy > 98%</p> <p>Country/Region recognition accuracy > 95%</p>	
No License Plate Detection	Supported	
Motorcycle LPR	Supported	
Vehicle Type	Car/Van/Bus/Truck/Light Truck/SUV_MPV/Pickup/Pedestrian/Motorcycle/Tricycle	
Vehicle Color	Red, yellow, green, blue, pink, purple, cyan, brown, white, grey, black	
Vehicle Manufacturer	<p>84 manufacturers: Hyundai, Toyota, KIA, Honda, Volkswagen, Benz, Nissan, Ford, Isuzu, BMW, Chevrolet, Mitsubishi, Renault, Opel, Suzuki, Skoda, Daewoo, Audi, Mazda, GAC HINO, Peugeot, SsangYong, Citroen, Fiat, Scania, MAN, Volvo, Lexus, Seat, Land Rover, Daihatsu, Dongwo, Subaru, Iveco, MINI, JEEP, Porsche, Chery, Dodge, Chrysler, Acura, Alfa Romeo, Great Wall, Infiniti, Smart, Saic Maxus, JAC, Jaguar, GMC, Lincoln, JMC, SAAB, FAW, Yutong, Guangzhou Yunbao, Joylong, Geely, Cadillac, JBC, An'kai, Haima, Foton, King Long, Dongfeng, Geely-Emgrand, Perodua, UD, BYD, Renault Samsung, Proton, HICOM, Malaysia_Unknown 1, Hyundai-Rohens, SsangYong-Old Version, Equus-Old Version, CNHTC, Rolls-Royce, Beiben Truck, Haval, Hino, Kia-Borrego, Chang'an, Alfa, FORO</p>	
License Plate Color Recognition	Customized to support	
Driving on Lane Line Detection	Supported (only in strobe light mode)	
Illegal Lane Change Detection	Supported (only in strobe light mode)	
Wrong-way Driving Detection	Supported	
Emergency Lane Occupation	Supported (truck forbidden lane, emergency lane, urban bus lane)	
Seatbelt Detection	Supported (with flash supplement light)	
Phone Call Detection	Supported (with flash supplement light)	
Capture Speed Range	5 to 250 km/h	
Image		
Max. Resolution	2464 × 2056	4096 × 2160
Main Stream	50 Hz: 50 fps (2448 × 2048, 2464 × 2056, 2048 × 1536, 1920 × 1080)	50 Hz: 25 fps (4096 × 2160, 1920 × 1080, 1280 × 720)
	60 Hz: 30 fps(2448 × 2048, 2464 × 2056, 2048 × 1536, 1920 × 1080)	60 Hz: 30 fps (4096 × 2160, 1920 × 1080, 1280 × 720)
Sub-Stream	1920 × 1080, 1280 × 720, 704 × 576, 352 × 288	1920 × 1080, 704 × 576
Image Enhancement	BLC, HLC, 3D DNR	

Image Settings	Rotate mode, saturation, brightness, contrast, sharpness, AGC, and white balance are adjustable by client software or web browser.	Saturation, brightness, contrast, sharpness, AGC, and white balance are adjustable by client software or web browser.
SVC	H.264 and H.265 encoding	
Day/Night Switch	Auto/Scheduled/Triggered by alarm in	
Picture Overlay	Logo picture can be overlaid on video with 128 × 128 24-bit bmp format.	
Network		
Network Storage	Micro SD/TF card (128 GB), local storage and CVR, NVR, ANR	
Alarm Trigger	HDD error, network disconnected, IP address conflicted, vehicle detector exception, traffic light detector exception	
Protocols	TCP/IP, HTTP, HTTPS, FTP, DNS, RTP, RTSP, RTCP, NTP, IPv6, UDP	
Security Measures	Password protection, HTTPS encryption, digest authentication for HTTP/HTTPS, digest authentication for ONVIF (Version 2.1)	
General Function	One-key reset, three streams, heartbeat, password protection, watermark	
API	ONVIF (Version 2.1, PROFILE S, PROFILE G), ISAPI, SDK	
Simultaneous Live View	Up to 6 channels	
User/Host	Up to 32 users 3 user levels: administrator, operator, and user	
Client	iVMS-8600, iVMS-4200 (Only for video live view and LPR information search), Hik-Central Master, Hik-Central Pro	
Web Browser	IE8-IE11, plug-in free live view supported	
Interface		
Communication Interface	2 RJ45 10 M/100 M/1000 M self-adaptive Ethernet interfaces 3 RS-485 interfaces (half duplex, HIKVISION) 1 RS-232 interface	
Alarm	2 input interfaces (T1, SYNC), 7 output interfaces	
On-board storage	Built-in micro SD/TF card, up to 128 GB	
USB Interface	1 USB 2.0 interface	
General		
Firmware Version	V4.3.1	
Operating System	Linux	
Certifications	CE, FCC, RoHS	
Operating Conditions	Temperature: -40 °C to 60 °C (-40 °F to 140 °F) Humidity: 95% or less (non-condensing)	
Power Supply	24 VDC ± 20%/100 to 240 VAC	
Protection Level	IP66	
Heater	Supported	
Material	Aluminum alloy	
Dimensions	With package: 175.68 × 137.5 × 443.99 mm (6.92" × 5.41" × 17.48")	
Weight	Camera: approx. 6.5 ± 0.5 kg (14.3 ± 1.1 lb)	
Power Consumption	< 30 W	

* Listed resolutions are only selectable options. It does not mean that all streams can work at their maximum resolution at the same time.

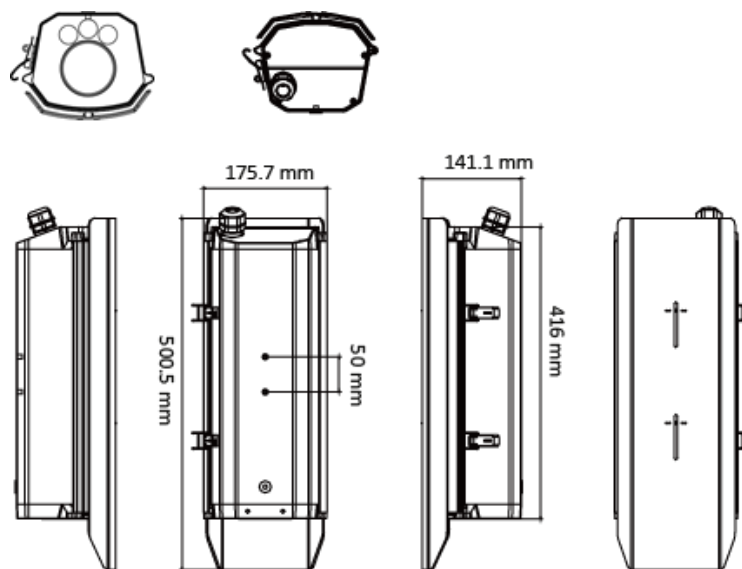
Available Model

iDS-TCE900-B




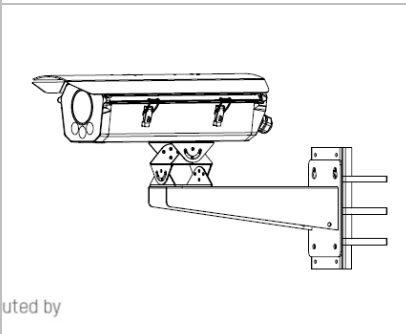
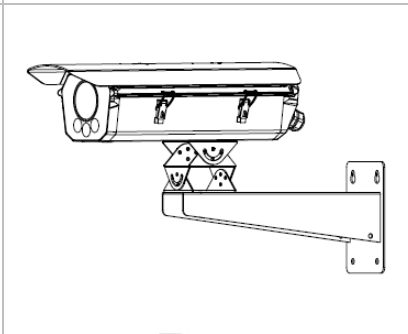
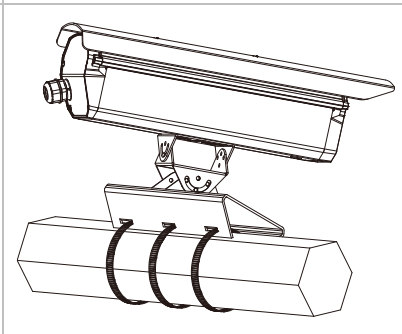
iDS-TCE500-B

**Please decide whether to use anti-corrosion devices or matched hoops and brackets according to the actual working environment.*

Dimension



Accessory

DS-1275ZJ/HWB DS-1701ZJ/HWB Vertical Pole Mount	DS-1701ZJ/HWB Wall Mount	DS-1278ZJ/HWB Horizontal Pole Mount
		
		

Distributed by

HIKVISION®

Headquarters

No.555 Qianmo Road, Binjiang District,
Hangzhou 310051, China
T +86-571-8807-5998
overseasbusiness@hikvision.com

Hikvision USA
T +1-909-895-0400
sales.usa@hikvision.com

Hikvision Australia
T +61-2-8599-4233
salesau@hikvision.com

Hikvision India
T +91-22-28469900
sales@pramahikvision.com

Hikvision Canada
T +1-866-200-6690
sales.canada@hikvision.com

Hikvision Thailand
T +662-275-9949
sales.thailand@hikvision.com

Hikvision Europe
T +31-23-5542770
sales.eu@hikvision.com

Hikvision Italy
T +39-0438-6902
info.it@hikvision.com

Hikvision Brazil
T +55 11 3318-0050
Latam.support@hikvision.com

Hikvision Turkey
T +90 (216)521 7070- 7074
sales.tr@hikvision.com

Hikvision Malaysia
T +601-7652-2413
sales.my@hikvision.com

Hikvision UK & Ireland
T +01628-902140
sales.uk@hikvision.com

Hikvision South Africa
Tel: +27 (10) 0351172
sale.africa@hikvision.com

Hikvision France
T +33(0)1-85-330-450
info.fr@hikvision.com

Hikvision Kazakhstan
T +7-727-9730667
nikia.panfilov@hikvision.ru

Hikvision Vietnam
T +84-974270888
sales.vt@hikvision.com

Hikvision UAE
T +971-4-4432090
salesme@hikvision.com

Hikvision Singapore
T +65-6684-4718
sg@hikvision.com

Hikvision Spain
T +34-91-737-16-55
info.es@hikvision.com

Hikvision Tashkent
T +99-87-1238-9438
uzb@hikvision.ru

Hikvision Hong Kong
T +852-2151-1761
info.hk@hikvision.com

Hikvision Russia
T +7-495-669-67-99
saleru@hikvision.com

Hikvision Korea
T +82-[0]31-731-8817
sales.korea@hikvision.com

Hikvision Poland
T +48-22-460-01-50
info.pl@hikvision.com

Hikvision Indonesia
T +62-21-2933759
Sales.Indonesia@hikvision.com

Hikvision Colombia
sales.colombia@hikvision.com